

# ***antal***

---

## ***T-Lock***

### ***User's Guide***

---

**For Models** TL22.32, TL28.40

## ***T-Lock***



---

International patent pending

Antal srl, Via del Progresso, 10, 35127, Padova, Italy. Tel. +39  
049 8701265. Fax: +39 049 760906. E-mail: antal@antal.it

Technical service: antal@antal.it

# How to use T-Lock

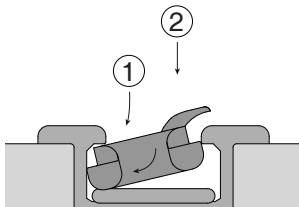
TL22.32, TL28.40

**T-Lock** is a **watertight** flush-mounted deck base to which a loop can be connected. A special toggle, which automatically locks-in, fits into the base. It cannot be removed under load, but can easily be removed without a load on it. The toggle can be locked-in permanently which makes it non-removable. From under the deck you can adjust the sealing plug in two positions: Low position (unscrewed) and it will be possible to fit the toggle into the base and to take it off, high position (screwed) and the toggle is permanently locked, it will not be possible to take it off. The toggle is swiveling, it can take a load in any direction. When used as a dog-bone it will adapt to any Dyneema® loop, such as a simple loop, low friction ring with loop and a snatch block with loop.

**T-Loop** The T-Lock is always supplied with a Dyneema Loop with toggle.

## mounting

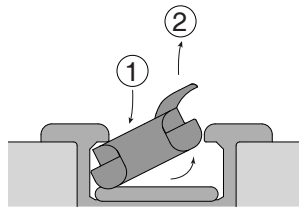
The Toggle is automatically locked



- ① Push in
- ② Push down

## removal

The Toggle is clear



- ① Push in
- ② Pull up

## 1. T-Lock Accessories

T-Lock is supplied with a Dyneema Loop and a toggle, but also several fittings are available.

**Ring** A low friction ring that can be fixed to the loop.

**Simple Toggle** This is an aluminium “dog-bone” suitable for fastening your own loop

**Blocks** Many Antal blocks and snatch blocks can be tied to the toggle and then easily joined to the T-Lock base



TL22.32, TL28.40

## 2. Installation

To install the T-Lock, you will need: a drill, a hole-saw and sealant. Screws are included.

Refer to the exploded view drawing to identify the parts of T-Lock



**POSITIONING** : the T-Lock base (3) will be installed in deck areas suitable to support high loads



**DRILLING** : Cut a hole in the deck with a hole-saw. For the correct hole size to be cut, please refer to the table below.



**SEALING** : put some sealant around the hole

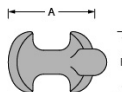
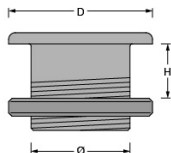


**FIXING** : put the base (3) into the hole and secure it with the two self-tapping screws (2) then tighten the nut-ring (9) strongly.

## 3. Maintenance

Even though very little water can enter into the base, we recommend to drain this water and clean the base occasionally. For this purpose it is sufficient to remove the spring ring (8) and unscrew the sealing plug (7).

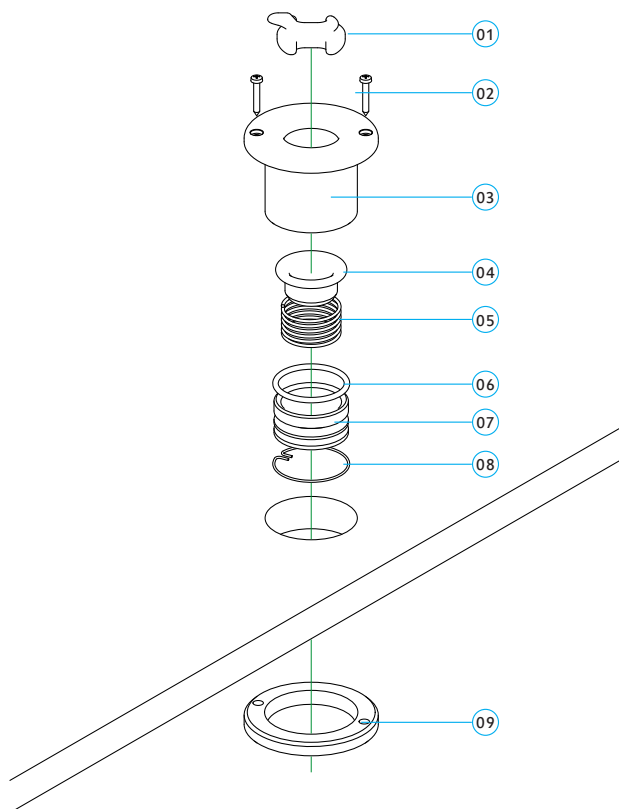
## Technical Details



Model	D mm	Max H mm	Hole Ø mm	Weight gr	SWL kg
TL22.32	64	30	44	170	2200
TL28.40	74	35	54	300	3500

Model	A mm	B mm
TT22.32	32	22
TT28.40	40	28

# Exploded View



## TL22.32, TL28.40

N°	DESCRIPTION	MATERIAL	Q.TY
01	TOGGLE	ALUMINUM	1
02	SCREW	S.STEEL	2
03	FLUSH DECK BASE	ALUMINUM	1
04	DISK	PLASTIC	1
05	SPRING	S.STEEL	1
06	O-RING	RUBBER	1
07	SEALING PLUG	PLASTIC	1
08	SPRING RING	S.STEEL	1
09	NUT RING	ALUMINUM	1