

TURNBUCKLES

Gracilis Body with Toggle and Fork

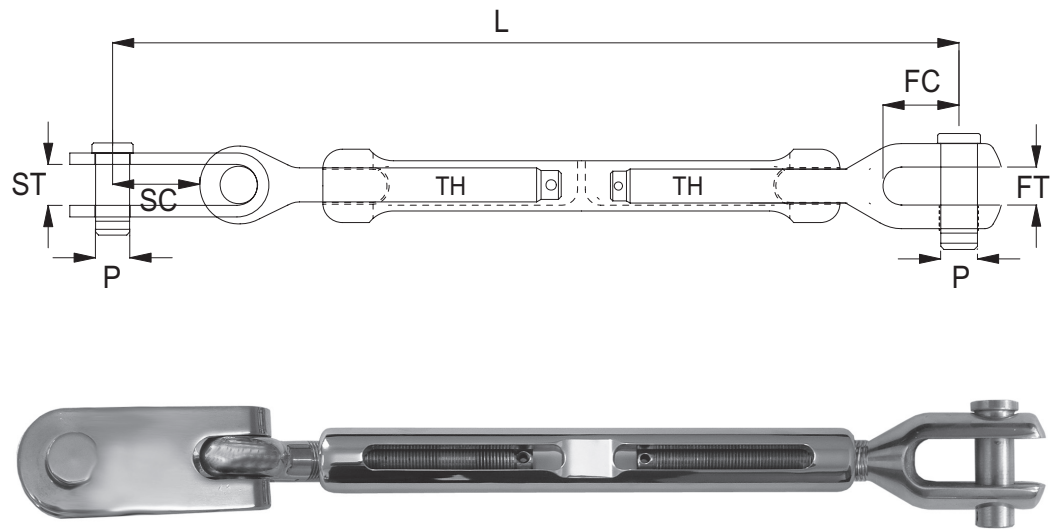
Benefits

Traditionally, turnbuckle bodies are manufactured by forging a soft bronze to produce the desired shape.

Our unique design lets us machine the bodies from high grade materials.

Using this process has allowed us to reduce the weight by 20% without reducing the strength.

All Hi-MOD products are produced to a high degree of quality control, using modern lean manufacturing processes, resulting in a reliable and consistent product



Turnbuckle with toggle and fork

Product Code	Thread	P	ST	SC	FC	FT	Min L	Max L
GTFT03	1/4" unf	6mm	7.7mm	16.0mm	13.0mm	6.3mm	157.5mm	229.5mm
GTFT04	5/16" unf	8mm	9.0mm	16.5mm	16.0mm	8.0mm	192.0mm	272.0mm
GTFT05	3/8" unf	10mm	10.3mm	20.4mm	19.0mm	10.0mm	231.5mm	335.5mm
GTFT06	7/16" unf	11mm	14.0mm	28.0mm	22.0mm	11.0mm	260.5mm	372.5mm
GTFT07	1/2" unf	12mm	15.0mm	36mm	25.0mm	12.7mm	318.0mm	458.0mm
GTFT08	5/8" unf	16mm	19.0mm	39.4mm	28.0mm	14.0mm	368.5mm	518.5mm
GTFT10	5/8" unf	16mm	19.0mm	40.0mm	32.0mm	16.0mm	380.5mm	530.5mm
GTFT12	3/4" unf	19mm	22.0mm	55.0mm	38.0mm	19.0mm	443.5mm	623.5mm
GTFT14	7/8" unf	22mm	24.0mm	60.0mm	45.0mm	22.2mm	512.0mm	722.0mm
GTFT16	1" unf	25mm	28.0mm	70.0mm	50.0mm	25.4mm	583.5mm	823.5mm
GTFT19	1 1/8" unf	28mm	32.0mm	80.0mm	58.0mm	28.6mm	661.0mm	931.0mm
GTFT22	1 1/4" unf	32mm	36.0mm	85.0mm	64.0mm	32.0mm	730.5mm	1030.5mm
GTFT26	1 3/8" unf	35mm	38.0mm	105.0mm	70.0mm	35.0mm	801.5mm	1121.5mm

Also available in Closed Body Style

