

Spinnaker Pole Cars & End Fittings

Cars

Harken spinnaker pole cars feature recirculating ball bearings to permit adjustment under any load. They roll freely on low-beam traveler track to allow crew to adjust for optimal sail shape.

Cars with rings for end-for-end jibing come in Small Boat and Midrange sizes. Midrange and Big Boat cars accept two popular toggle studs and Harken® bell end fittings. Cars are also available from the Harken® Custom Division.

End Fittings

Spinnaker pole end fittings are strong, simple to operate, and reliable. All pole ends are hard-anodized aluminum with stainless steel pistons and pins.

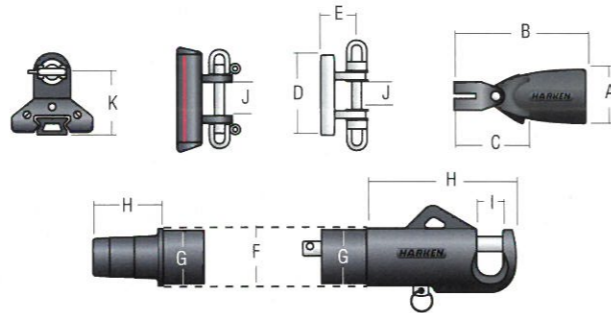
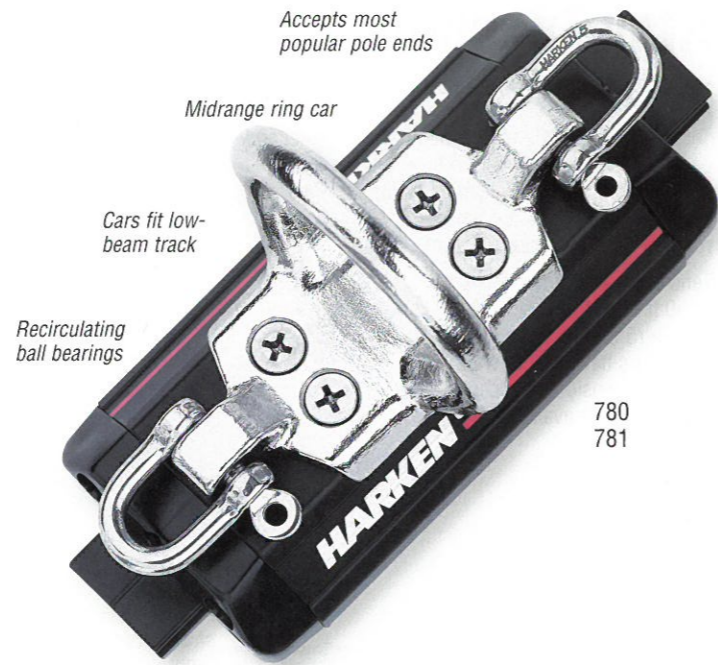
Piston-type ends offer internal and external release levers. Use on outboard and inboard ends of poles for small and mid-sized offshore boats.

Use bell fittings on medium and large boats that dip pole jibe. The bell and socket arrangement is strong, easy to engage, and allows the pole to articulate properly in all conditions.

Toggle track slides accept bells and come with or without pinstops.

Use for:

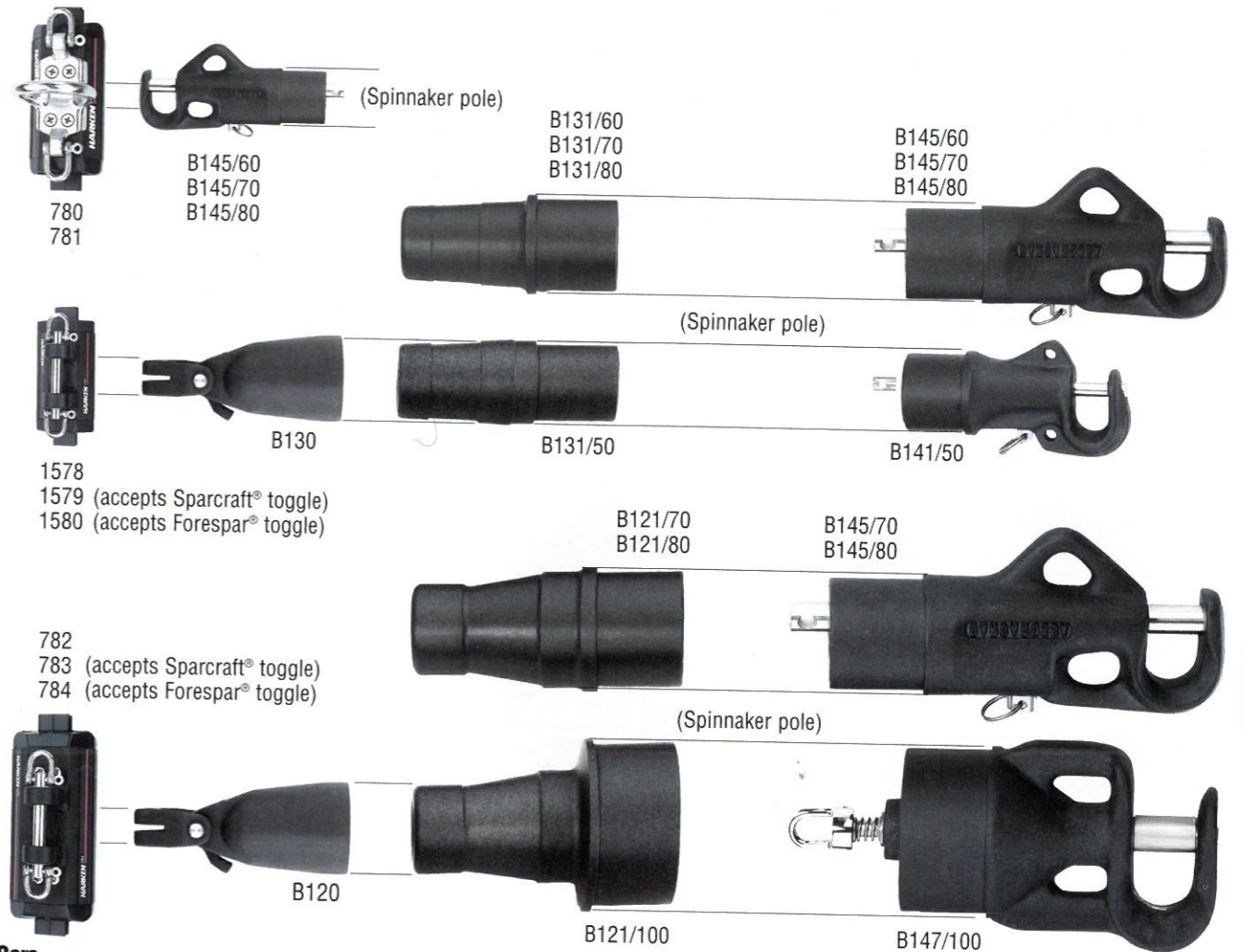
Spinnaker poles
Whisker poles



Track Sliders & End Fittings

Part No.	Description	A mm	B mm	C mm	D mm	E mm	F mm	G mm	H mm	I mm	J mm	K mm	Pin Ø in	Weight oz	Weight g	Fits	
B120	Large bell socket*	82	168	85	—	—	—	—	—	—	—	—	—	30	850	B121	
B130	Small bell socket*	66	154	80	—	—	—	—	—	—	—	—	—	22.9	650	B131	
B276/A	Track slider for bell	—	—	—	95	35	—	—	—	—	38	—	19/32	12	17.7	500	26 mm T-track
B276/B	Track slider for bell/stop	—	—	—	95	35	—	—	—	—	38	—	19/32	12	19.4	550	26 mm T-track
B348/A	Track slider for bell	—	—	—	95	35	—	—	—	—	38	—	19/32	12	19	540	32 mm T-track
B348/B	Track slider for bell/stop	—	—	—	95	35	—	—	—	—	38	—	19/32	12	16.6	470	32 mm T-track

*Do not use B120/B130 bell sockets for vertical spinnaker/whisker pole storage



Cars

Part No.	Description	Max spin area		Length		Weight		Pin Ø		J mm	K mm	Safe working load			Pole end		
		ft²	m²	in	mm	oz	g	in	mm			lb	kg	Track			
780	Small Boat/ring*	900	85	4 1/8	111	13	369	—	—	—	—	—	1125	510	2720	Piston	
781	Midrange/ring*	1350	125	5 1/4	133	23	652	—	—	—	—	—	2100	953	1616	Piston	
782	Big Boat/bell*	2000	186	7 1/4	184	36	1020	15/32	12	1 1/2	38	—	4050	1837	3154	B120/B130 bell end	
783	Big Boat/toggle*	2000	186	7 1/4	184	36	1020	5/8	16	1 3/16	30	2 1/2	59	4050	1837	3154	Sparcraft® toggle
784	Big Boat/toggle*	2000	186	7 1/4	184	35	992	1/2	12.7	1	25	2 1/8	63	4050	1837	3154	Forespar® toggle
1578	Midrange/bell*	1500	140	5 1/4	133	21	595	15/32	12	1 1/2	38	—	2300	1043	1616	B120/B130 bell end	
1579	Midrange/toggle*	1500	140	5 1/4	133	23	652	5/8	16	1 3/16	30	2 1/8	54	2300	1043	1616	Sparcraft® toggle
1580	Midrange/toggle*	1500	140	5 1/4	133	21	595	1/2	12.7	1	25	2	51	2300	1043	1616	Forespar® toggle

End Fittings

Part No.	Description	A mm	B mm	C mm	D mm	E mm	F mm	G mm	H mm	I mm	Weight oz	Weight g	Fits
B120	Large bell socket**	82	168	85	—	—	—	—	—	—	30	850	B121
B121/70	Pole end for bell	—	—	—	—	—	70	65	110	—	12.7	360	B120
B121/80	Pole end for bell	—	—	—	—	—	80	75	110	—	16.2	460	B120
B121/100	Pole end for bell	—	—	—	—	—	100	94	110	—	23.7	670	B120
B130	Small bell socket**	66	154	80	—	—	—	—	—	—	22.9	650	B131
B131/50	Pole end for bell	—	—	—	—	—	50	46	85	—	7.8	220	B130
B131/60	Pole end for bell	—	—	—	—	—	60	55	85	—	12.4	350	B130
B131/70	Pole end for bell	—	—	—	—	—	70	65	85	—	15.5	440	B130
B131/80	Pole end for bell	—	—	—	—	—	80	75	85	—	19.1	540	B130
B141/50	Piston pole end	—	—	—	—	—	50	46	93	20	13.1	370	
B145/60	Piston pole end	—	—	—	—	—	60	55	146	28	28.9	820	
B145/70	Piston pole end	—	—	—	—	—	70	65	175	30	49.4	1400	
B145/80	Piston pole end	—	—	—	—	—	80	75	175	30	53	1500	
B147/100	Piston pole end/trigger	—	—	—	—	—	100	94	134	36	46.9	1330	

*See page 40 for replacement balls **Do not use B120/B130 bell sockets for vertical spinnaker/whisker pole storage